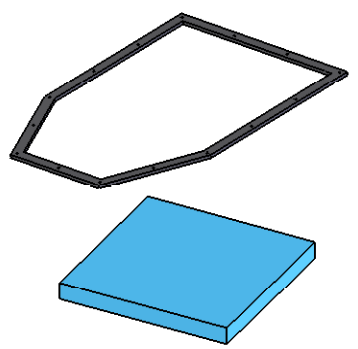
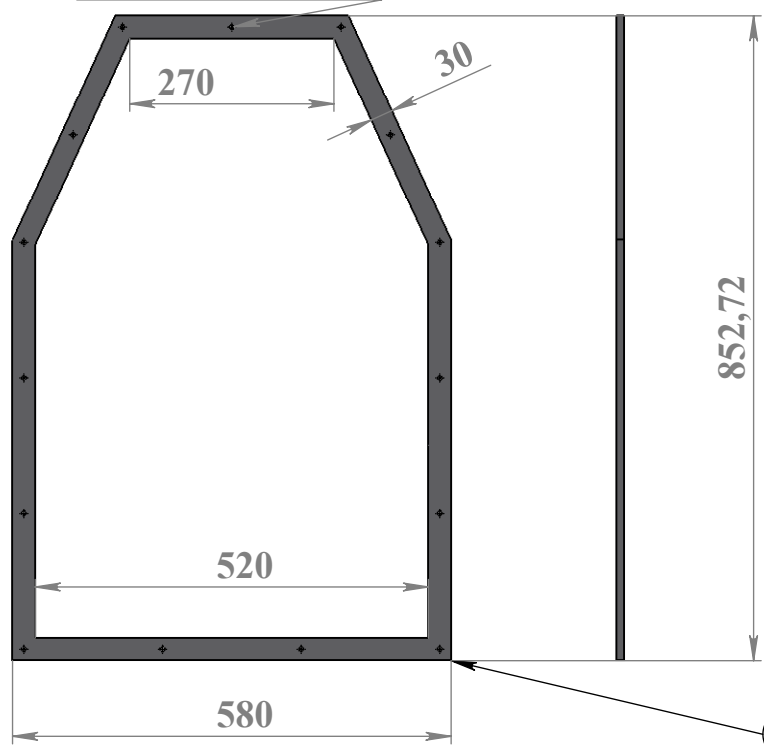


A

15 x \varnothing 6 THRU

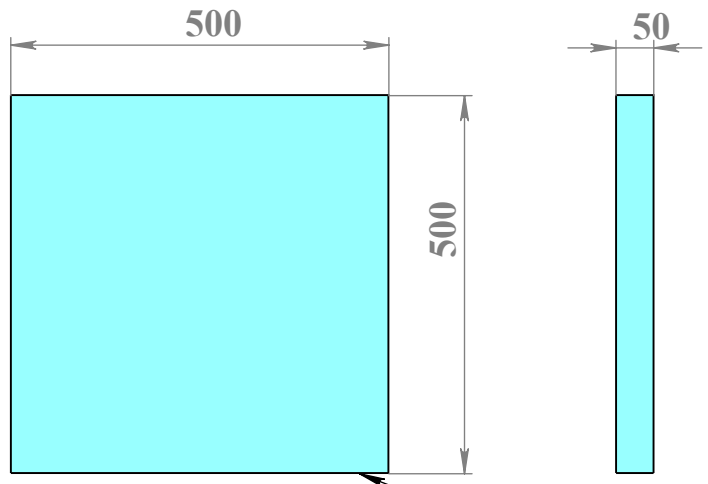


B

C

D

E



F

NO.	NAME	10
1	Sponge rubber,	11
2	Scintillator	12
3		13
4		14
5		15
6		
7		
8		
9		

MATERIAL:

DIMENSIONS ARE IN MILLIMETERS

TITLE:

Sponge rubber,
Scintillator

DWG NO.

4-2

SCALE:

SHEET 2 OF 2

A4

