

A

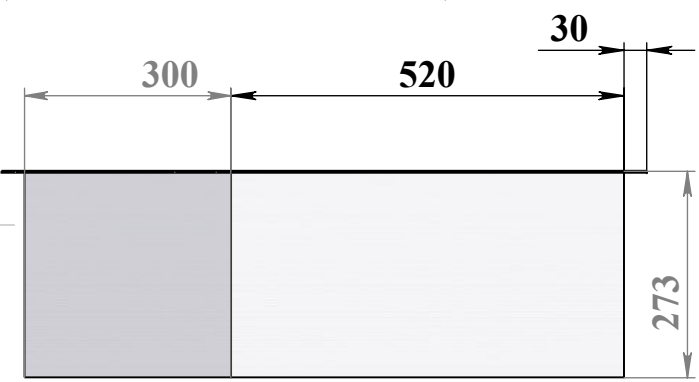
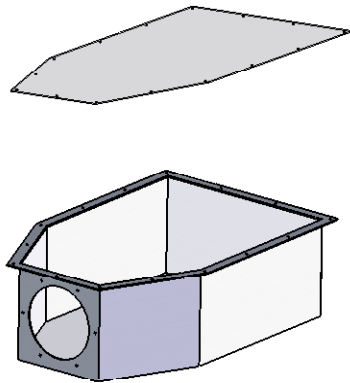
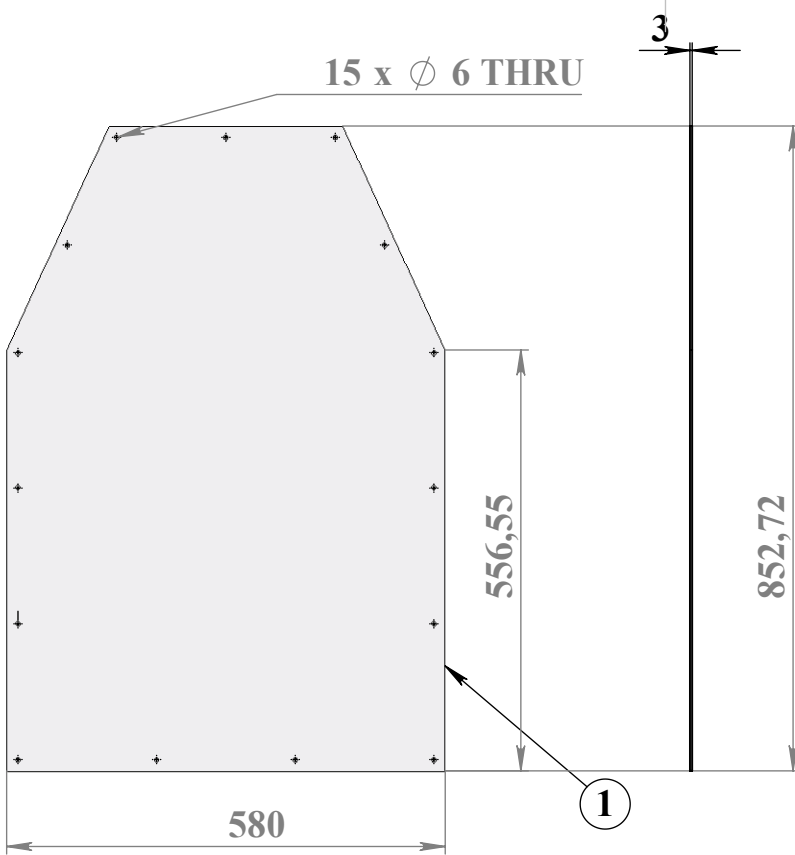
B

C

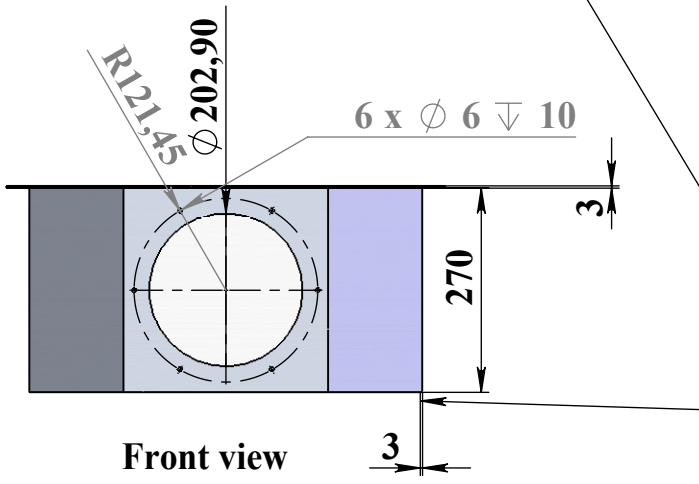
D

E

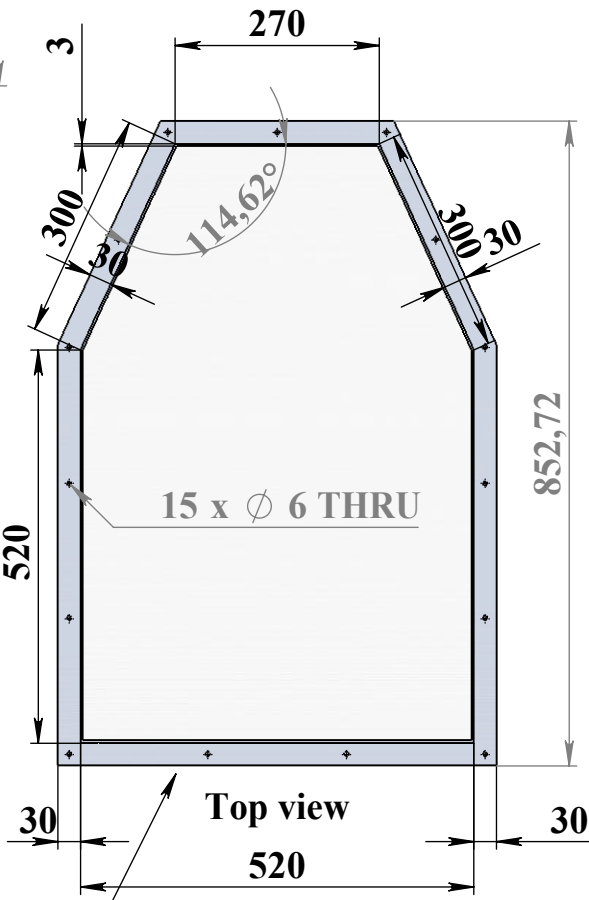
F



left view



Front view



Top view

NO.	NAME	10
1	Case cover,	11
2	Metallic case	12
3		13
4		14
5		15
6		
7		
8		
9		

MATERIAL:

DIMENSIONS ARE IN MILLIMETERS

TITLE: **Case cover, Metallic case**

DWG NO. **4-1**

SCALE:

SHEET 1 OF 2

A4

