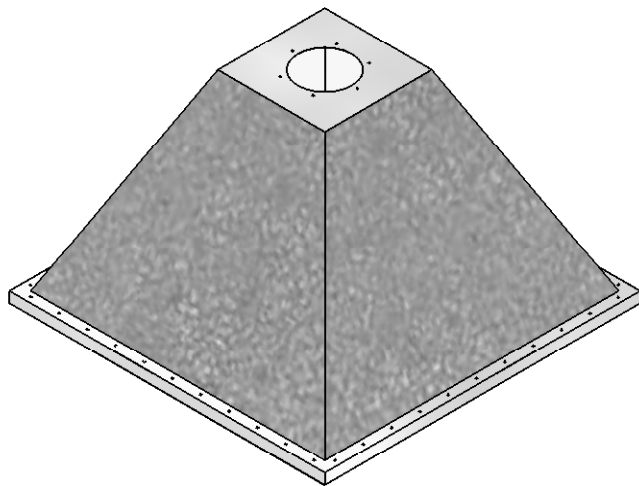


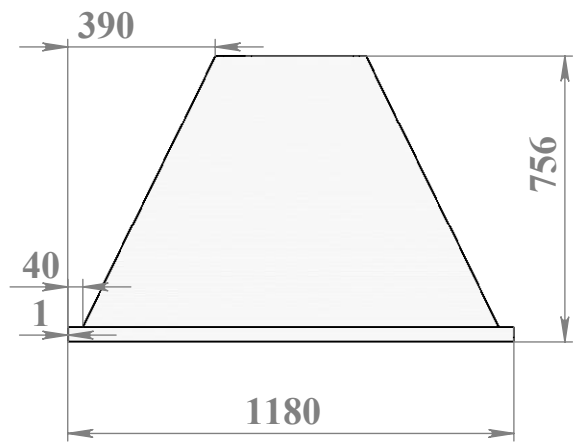
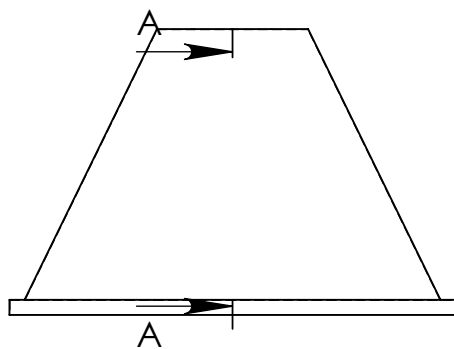
A



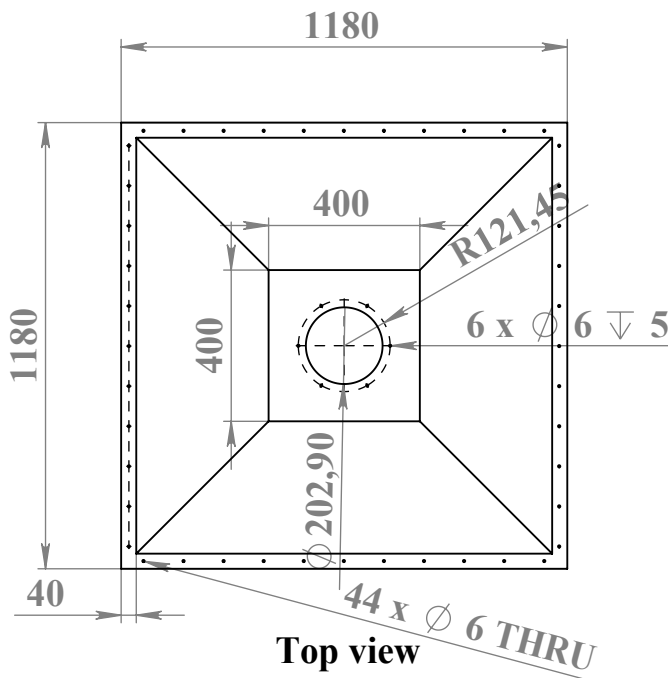
B

SECTION A-A
SCALE 1 : 20

C



D



E

F

NO.	NAME	10
1		11
2		12
3		13
4		14
5		15
6		
7		
8		
9		

MATERIAL:

DIMENSIONS ARE IN MILLIMETERS

TITLE:
Cap for 5cm scintillator detector

DWG NO. **5-3**

