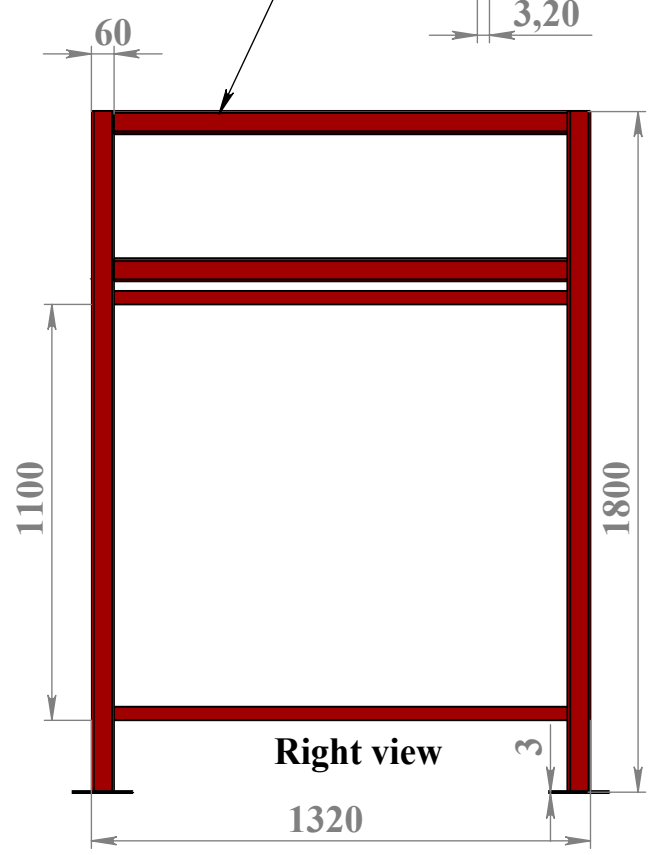
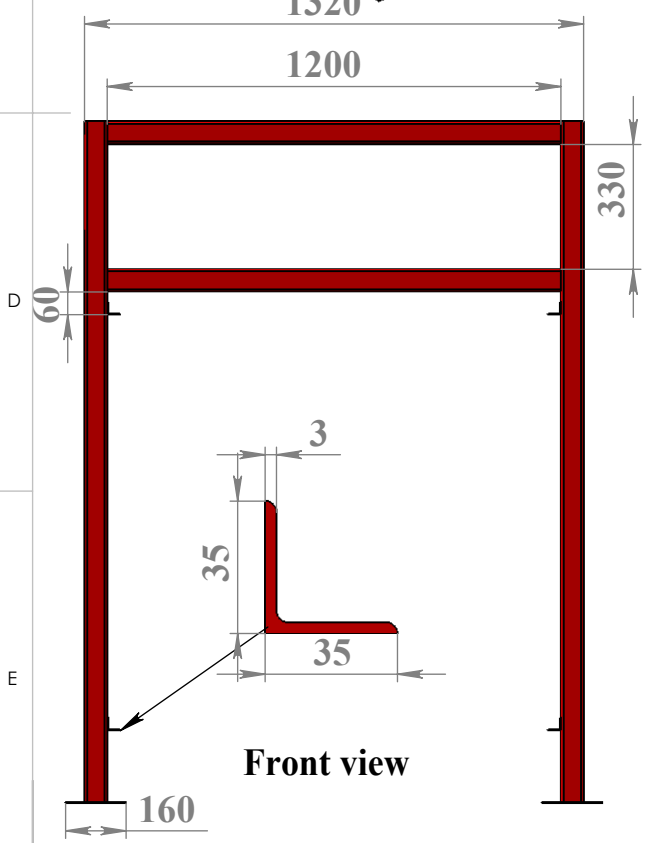
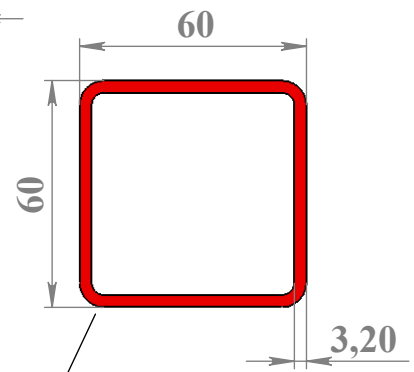
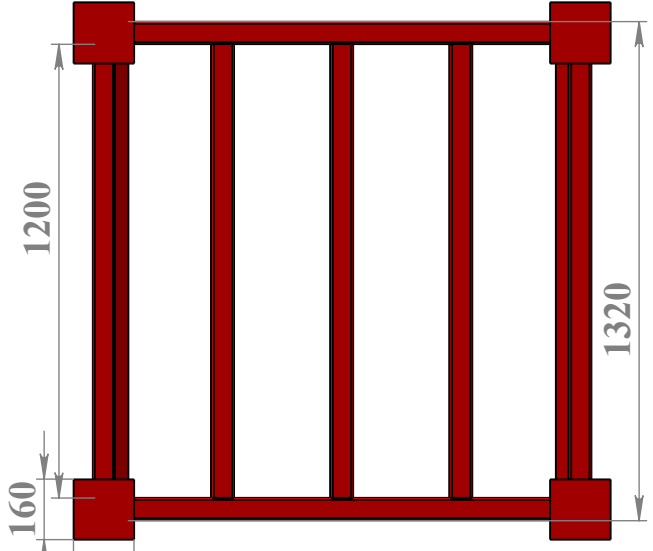


Bottom view



Front view

Right view

NO.	NAME	10
1		11
2		12
3		13
4		14
5		15
6		
7		
8		
9		

MATERIAL:

DIMENSIONS ARE IN MILLIMETERS

TITLE: **SEVAN Metal stand**

DWG NO. **1**

SCALE:

SHEET 1 OF 1

A4